

# Macurco™ Carbon Dioxide Detector CD-6

**MACURCO**  
GAS DETECTION



## Detector, Controller and Transducer

### Carbon Dioxide Detection and Control

The Macurco CD-6 is a low voltage, dual relay Carbon Dioxide (CO<sub>2</sub>) detector, controller and transducer. The CD-6 has selectable 4-20 mA output, buzzer and digital display options. It is an electronic detection system used to measure the concentration of Carbon Dioxide and provide feedback and automatic exhaust fan control to help maintain appropriate Carbon Dioxide concentrations in commercial applications. The CD-6 is a low level meter capable of detecting from 0-2000 ppm of Carbon Dioxide.

### Selectable options include:

- Fan relay actuation: selectable at 600, 700, 800, 900, 1000 (default), 1100, 1200, 1300, 1400, 1500 ppm
- Output: Fan relay, Alarm relay and 4-20mA current loop
- Controls: Digital display (0-2000 ppm), buzzer, fan delay, fan minimum runtime

### Installation

- Mounts on a standard 4" x 4" electrical box
- 5 A SPDT fan relay controls valves, louvers or exhaust fans
- 0.5 A N.O. or N.C alarm relay connects to warning devices or control panels
- 4-20mA current loop - compatible with the Macurco DVP-120 Control Panel
- Factory calibrated

### Other Features

- Supervised system design: detector problem will cause the fan & alarm relay to activate
- Self calibrating, optional gas test kit allows the CD-6 to be field tested
- ETL Listed to UL 61010-1, CAN/CSA C22.2 No 61010-1



# CD-6 Specifications

- Power: 3 W (max) from 12 to 24 VAC or 12 to 32 VDC
- Current (normal) @ 24 VDC: 75 mA in alarm, 53 mA fan relay on and 30 mA stand by
- Current (max) @ 24 VDC: 126 mA in alarm, 108 mA with fan on and 85 mA standby
- Shipping Weight: 1 pound (0.45 kg)
- Size: 4 1/2 x 4 x 2 1/8 in. (11.4 X 10.2 X 5.4 cm)
- Color: White or Dark gray
- Connections: plugs/terminals
- Mounting box: (not included) 4x4 electrical
- Current Loop, 4-20 mA for 0-2,000 ppm CO<sub>2</sub>
- Alarm relay: 0.5A 120 V, 60 VA
- Alarm relay actuation: selectable N.O. (default) or N.C.
- Alarm relay settings: "dis"(disabled), 900, 1000... to 2000 ppm (default)
- Fan relay: 5 A, 240 VAC, pilot duty, SPDT, latching or non-latching
- Fan relay actuation: selectable at "dis" (disabled), 600, 700, 800, 900, 1000 (default), 1100, 1200, 1300, 1400 or 1500 ppm
- Fan Delay Settings of 0, 1, 3 (default), 5 and 10 minutes
- Fan Relay Minimum Runtime settings are 0 (default), 3, 5, 10 or 15 minutes
- Operating Environment: 32°F to 122° F (0°C to 50°C), 10 to 90% RH non-condensing



Optional housing and label



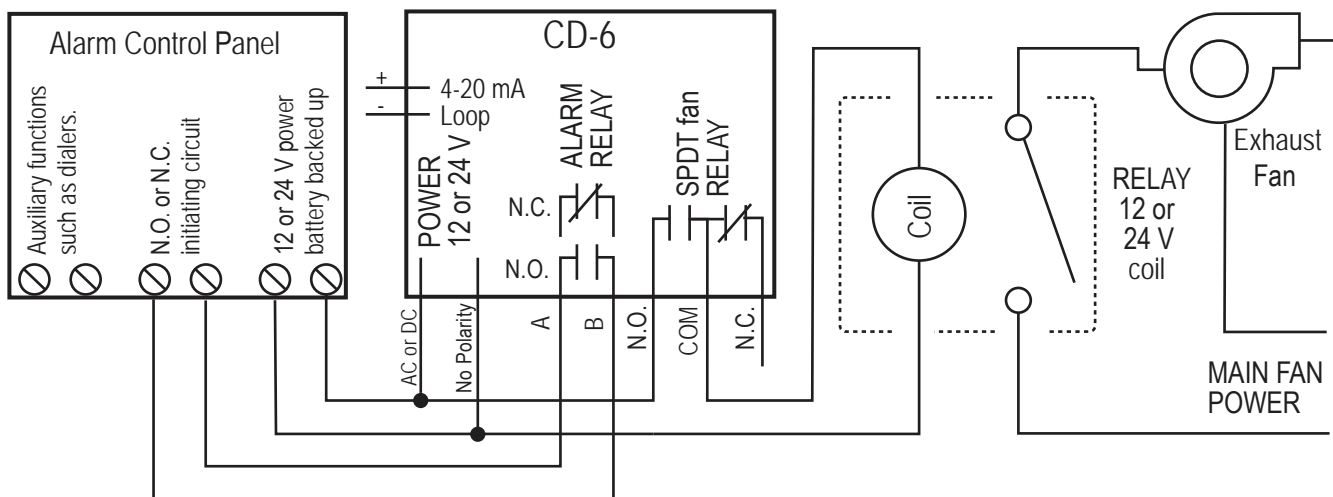
CD-6 Rear View

## Location

A CD-6 is normally mounted at breathing level, about 5 feet (1.5 meters) above the floor on a wall or column in a central area where the air gets refreshed on a regular basis. The unit typically covers up to about 5,000 sq.ft. (465 square meters). The coverage depends on air movement within the room or facility. Additional detectors may be needed near any areas where people work or where the air is stagnant. The CD-6 mounts on a 4x4 electrical box supplied by the contractor. Do not install the CD-6 inside another box unless it has good air flow through it. Do NOT mount the CD-6 where the normal temperature is below 32°F or exceeds 122°F (below 0°C or above 50°C).

TYPICAL CONNECTION OF CD-6

TYPICAL COVERAGE 5,000 SQUARE FEET



Made in the U.S.A. with US and imported materials

© Aerionics 2015. All rights reserved.  
Macurco is a trademark of Aerionics, Inc.

